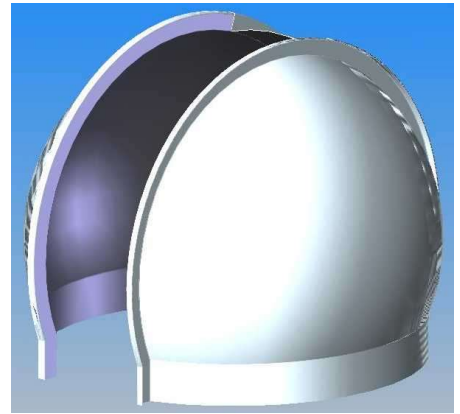


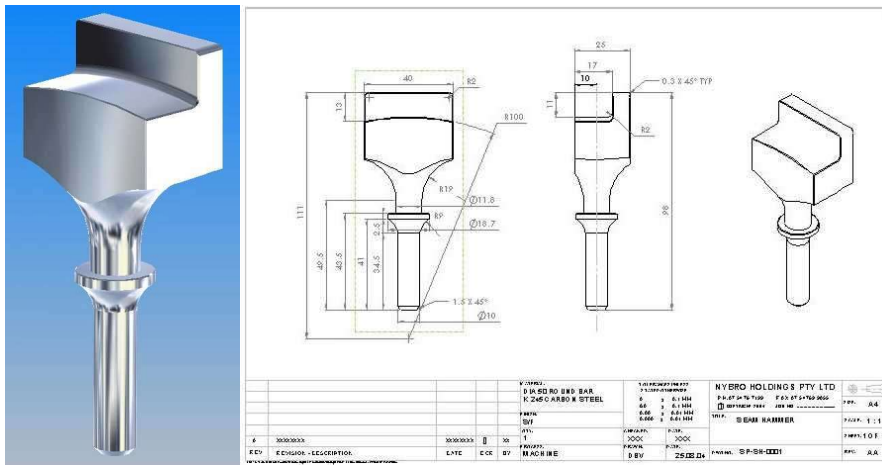
IDEAS TO MARKET

WHY DO PEOPLE WASTE MONEY AND STOP BEFORE THEY HAVE BARELY STARTED?

Let's face it, not too many people are successful in having their great idea become a reality in the market place. There is hope and an opportunity to greatly increase the chance of success, but this must happen even before you spend thousands of dollars on patents, which may be a great waste of money if your timing isn't right.



Denver Vidler, an accomplished Ideas to Market Entrepreneur and Managing Director of Nybro, suggests that money invested in professional drawings and computer modeling, helps clarify your idea, enables accurate manufacturing costs to be established, aids in business planning, saves money on patents and most of all, can provide motivation for potential investors. Nybro can offer a gateway to "Rapid Prototyping", which is a solution in creating a 3 dimensional touch and feel simulated product that can be made from plastic, wax or resin. Nybro also offers research resources to find if similar concepts or products exist.



- Produce accurate engineering drawings and 3D models quickly.
- Produce drawings and models from the simplest of parts to the largest of assemblies.
- Nybro has the tools to compress product development time cycles, which maximizes productivity and ultimately delivers a rapid return on investment to our customers.

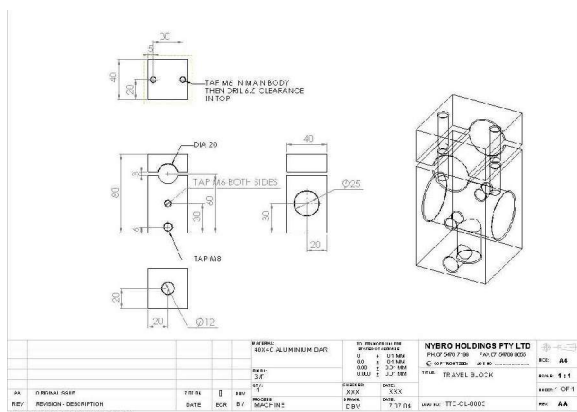
(Left) An example of \$99.00 worth of drawings and 3D model.

NYBRO ENGINEERING DESIGN & DRAWING

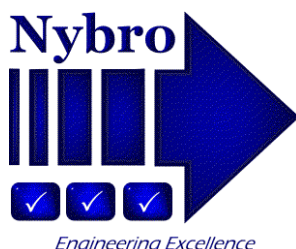
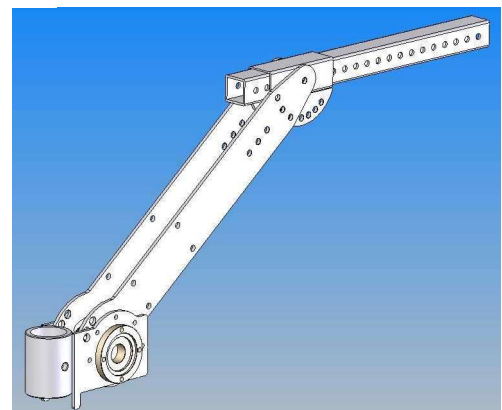
Winner 2004 Queensland Family Business of the Year.

FREE FREE

Ask us about our **FREE** computer 3D solid modeling with drawing services.



- Create better designs by simulating assemblies in motion.
- Use JPEG images for concept brochures.
- Engineering consulting.



Engineering Excellence

Nybro Holdings Pty Ltd

1/ 11 Endeavour Drive,
Kunda Park. Queensland. 4556.

Ph: (07) 5476 7199

Fax: (07) 5476 9055

Email: info@nybro.com.au

Website: www.nybro.com.au